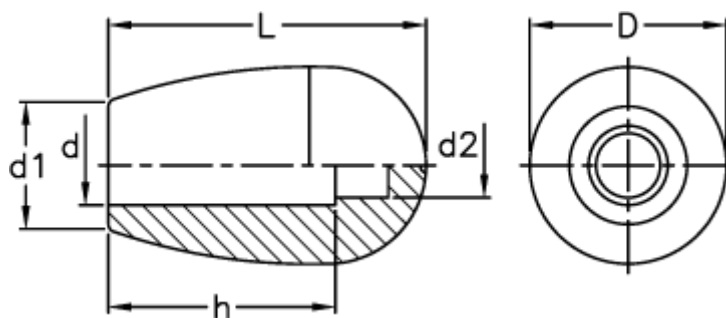


Data Sheet



Article number: 2304151212
Description: E+G Handle
I.622/30 N-8 CLEAN

Measures



$d = 8$
 $D = 20$
 $d1 = 14$
 $d2 = 6.0$
 $h = 21$
 $L = 32.0$